

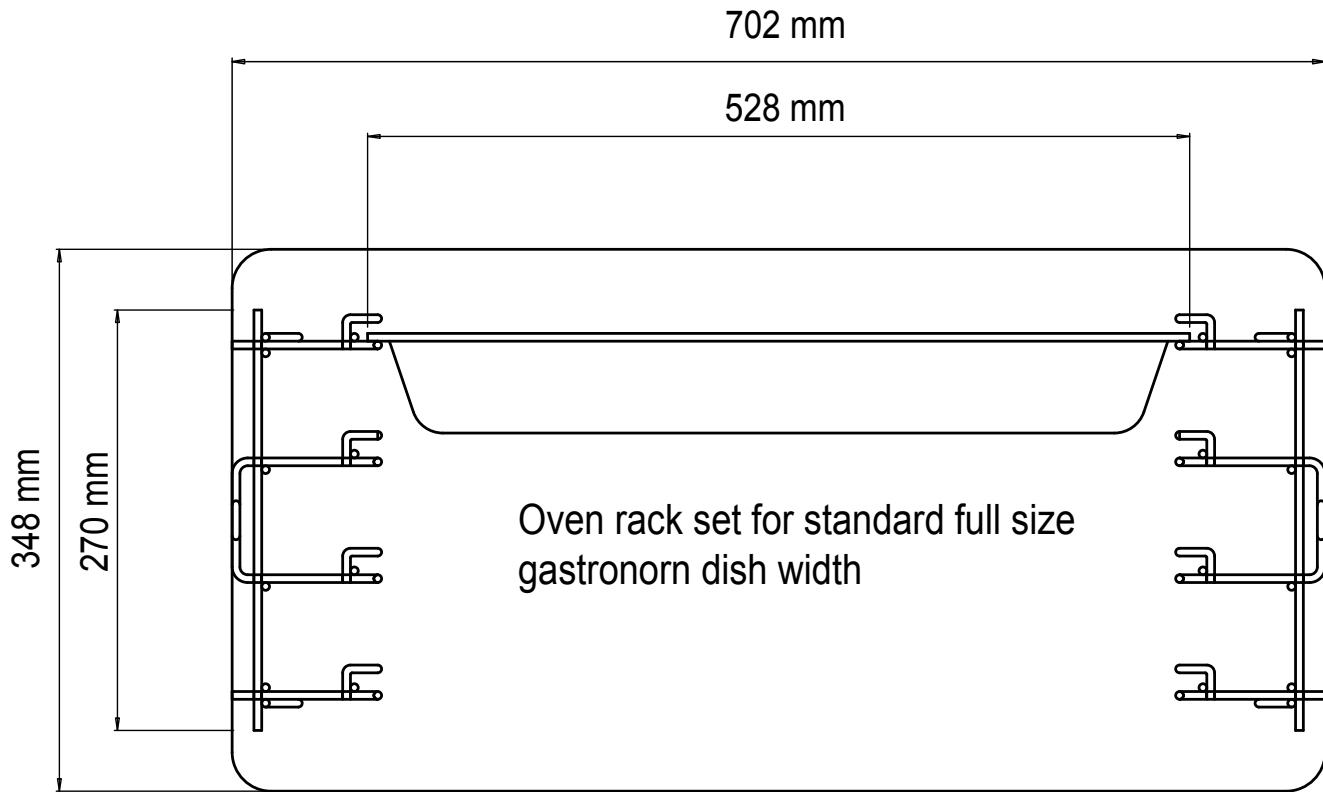
Grande Forni Oven Rack System

The Shelf Runners are reversible depending on application required.
See diagram below.

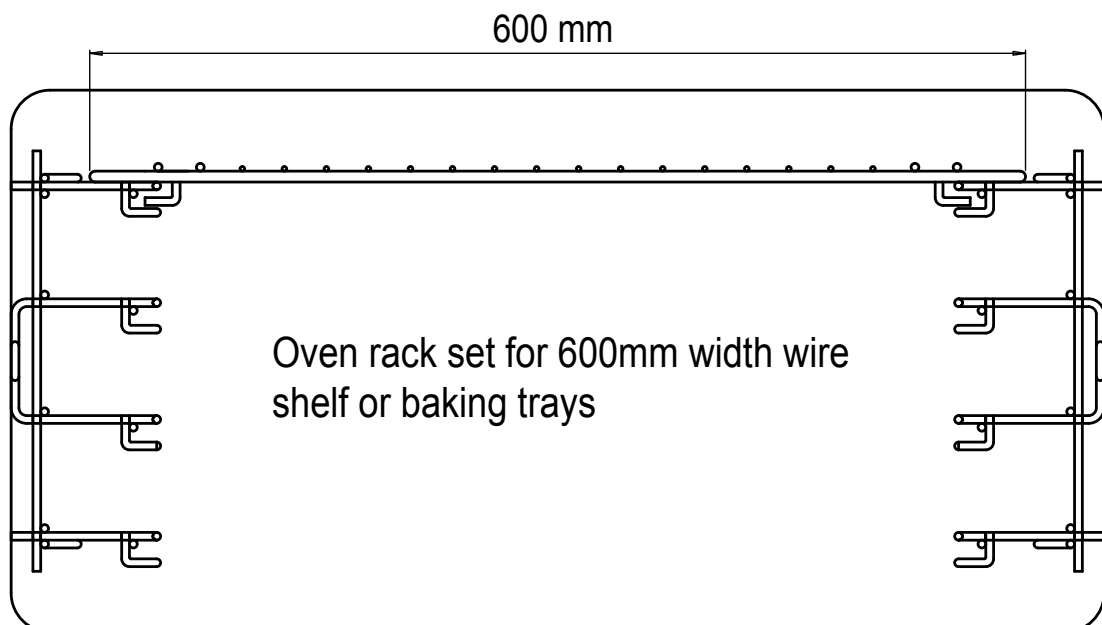
Position A shows the runners set for using standard full size inserts

Position B shows the runners set for 600mm wire shelves and baking trays

The wire shelf is now constructed of thicker robust \varnothing 7mm wire to prevent deflection under heavy loading.



Position A



Position B